

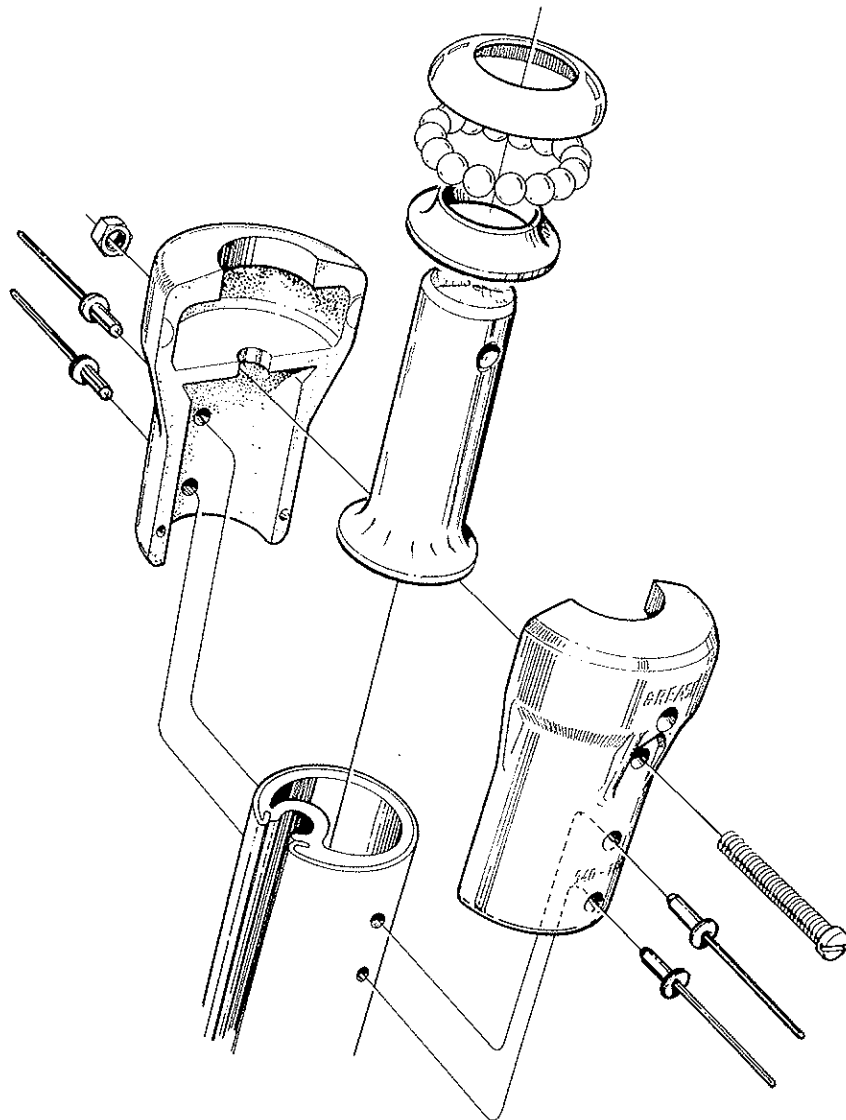
FURLIN'

NOV-90/595-064-E

MAIN FURLING & REEFING SYSTEM

SID 10 + 11
4, 6, 8, 14

SPARE PARTS LIST



TYPE RB Mk II/RC Mk II

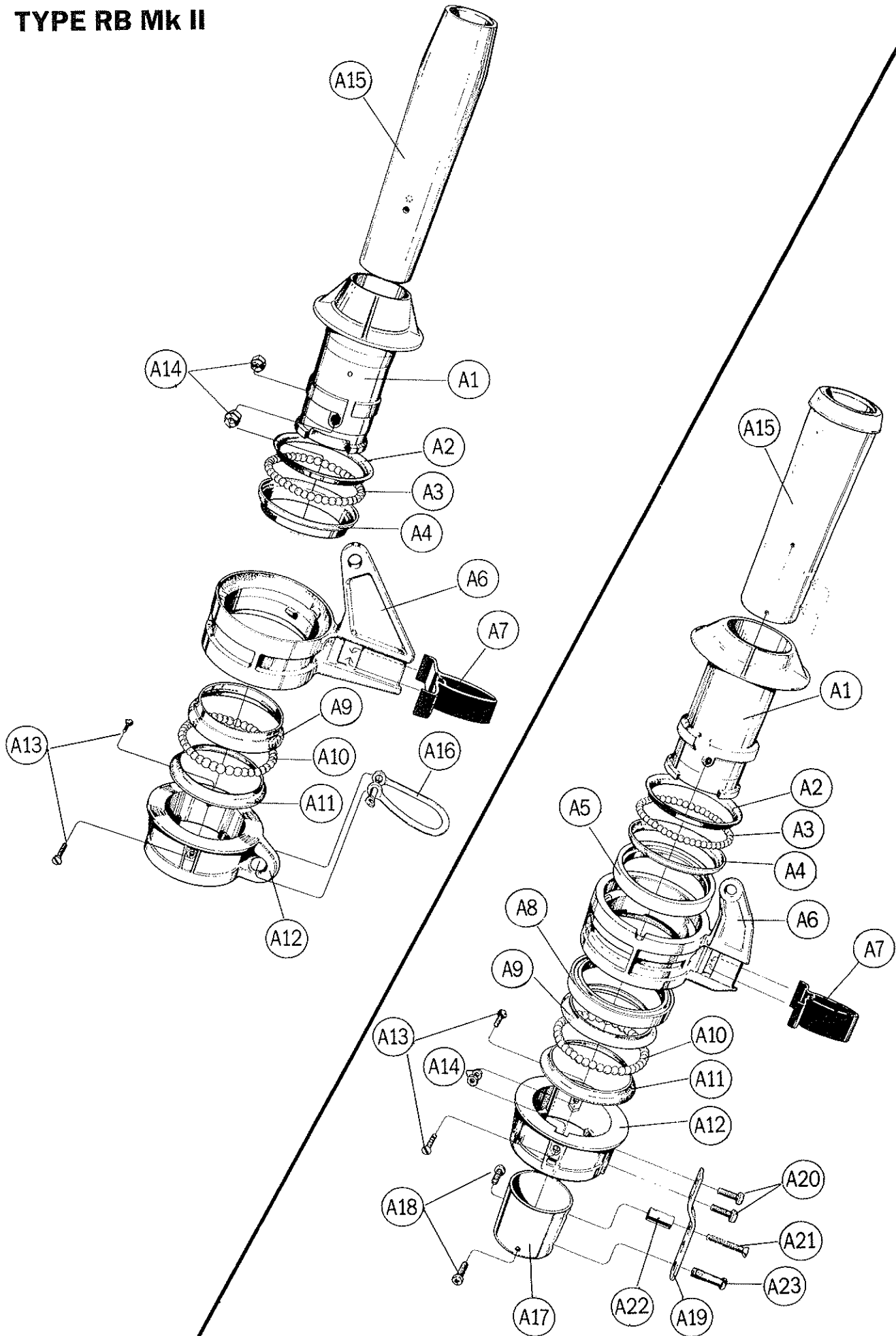
DESCRIPTION A

HALYARD SWIVEL

Item	Description	Type RB Mk II			Type RC Mk II		
		Dimension	Qty.	Mast extrusion 232/126 260/150	Dimension	Qty.	Mast extrusion 290/150
		Assembly number →		539-051-02	Assembly number →		539-201-02
A 1	Hub - Halyard swivel	∅84×115	1	539-051	∅102×140	1	539-201
A 2	Ball bearing ring-inner	∅74×∅56×7	1	539-059	∅84×∅66×8	1	539-220
A 3	Balls	∅6	34	539-034	∅8	30	539-128
A 4	Ball bearing ring-outer	∅76×∅57×15	1	539-058	∅90×∅66×11	1	539-219
A 5	Intermediate ring	—	—	—	∅88×∅67×9	1	539-218
A 6	Eye ring-rot.-track guide	∅84×95	1	540-107	∅102×136	1	540-209
A 7	Sliding insert	20×65	1	540-108	31×65	1	540-223
A 8	Intermediate ring	—	—	—	∅88×∅67×9	1	539-218
A 9	Ball bearing ring-outer	∅76×∅57×15	1	539-058	∅90×∅66×11	1	539-219
A10	Balls	∅6	34	539-034	∅8	30	539-128
A11	Ball bearing ring-inner	∅74×∅56×7	1	539-059	∅84×∅66×8	1	539-220
A12	Flange eye collar	∅84×33	1	539-052	∅102×45	1	540-219
A13	Screw	MFX 6×16	2	162-025	MFX 6×16	2	162-025
A14	Locking nut	M6	2	158-005	M6	2	158-005
A15	Sliding sleeve	∅50×180	1	540-109	∅60×213	1	540-222
A16	Twisted shackle	M6-12×46	1	307-039	—	—	—
A17	Collar	—	—	—	∅58×∅50×52	1	540-221
A18	Screw	—	—	—	MRX 6×8	2	155-624
A19	Supporting strip	—	—	—	24×97	1	540-220
A20	Screw	—	—	—	MRX 6×12	2	155-613
A21	Screw	—	—	—	MFX 6×30	1	162-044
A22	Bushing	—	—	—	∅12×6,5×21	1	306-535
A23	Screw	—	—	—	M12/∅10×30	1	155-030

Seldén Mast AB reserves the right to alter the design or specification without prior warning, to allow unrestricted future product development.

TYPE RB Mk II



TYPE RC Mk II

DESCRIPTION B

FURLING GEAR BRACKET

Item	Description	Type RB Mk II			Type RC Mk II		
		Dimension	Qty.	Mast extrusion 232/126 260/136	Dimension	Qty.	Mast extrusion 290/150
		Assembly number →	540-130-01		Assembly number →	540-130-01 -02	
B 1	Furling gear bracket	76x424	1	540-130	76x424	1	540-130
B 2	Label-Furling direction	44x74	1	591-268	44x74	1	591-268
B 3	Shaft	∅20x220	1	166-143	∅20x220	1	166-143
B 4	Spring pin	∅6x32	1	166-509	∅6x32	1	166-509
B 5	Washer	∅36x∅21x3	1	164-421	∅36x∅21x3	1	164-421
B 6	Ball bearing ring-inner	∅38x∅20x8	1	540-106	∅38x∅20x8	1	540-106
B 7	Balls	∅8	12	539-128	∅8	12	539-128
B 8	Ball bearing ring-outer	∅44x∅26x8	1	539-223	∅44x∅26x8	1	539-223
B 9	Protecting cover	∅56x18	1	540-126	∅56x18	1	540-126
B10	Ball bearing ring-outer	∅44x∅26x8	1	539-223	∅44x∅26x8	1	539-223
B11	Balls	∅8	12	539-128	∅8	12	539-128
B12	Ball bearing ring-inner	∅38x∅20x8	1	540-106	∅38x∅20x8	1	540-106
B13	Gear wheel	∅87,9x∅20x41,1	1	320-002	∅87,9x∅20x41,1	1	320-002 *) or 320-005
B14	Spring pin	∅8x45	1	166-503	∅8x45	1	166-503
B15	Furling gear line driver	∅110	1	523-525	∅110	1	523-525
B16	Insulator	138x110	1	530-629	138x110	1	530-629
B17	Ball bearing house	∅50x∅44x33,5	1	540-115	∅50x∅44x33,5	1	540-115
B18	Balls	∅8	12	539-128	∅8	12	539-128
B19	Ball bearing ring-inner	∅38x∅20x8	1	540-106	∅38x∅20x8	1	540-106
B20	Gear wheel	∅61,8x∅20x41,2	1	320-003	∅61,8x∅20x41,2	1	320-003 **) or 320-004
B21	Spring pin	∅8x45	1	166-503	∅8x45	1	166-503
B22	Screw	MC6S 8x20	4	153-009	MC6S 8x20	4	153-009
B30	Backing plate	70x74	1	540-103	70x74	1	540-103
B31	Pop rivet LD 665	∅4,8x16,5	2	167-006 ^{II}	∅4,8x16,5	2	167-006
B32	Locking Nut	M8	4	157-006	M8	4	157-006
B33	Screw	MFX 8x40	4	162-037	MFX 8x40	4	162-037
B34	Backing plate	70x74	1	540-103	70x74	1	540-103
B35	Pop rivet LD 665	∅4,8x16,5	2	167-006 ^I	∅4,8x16,5	2	167-006
B36	Locking Nut	M8	4	157-006	M8	4	157-006
B37	Screw	MFX 8x40	4	162-037	MFX 8x40	4	162-037
B38	Line stripper assembly	58x20	1	540-034-01	58x20	1	539-034-01

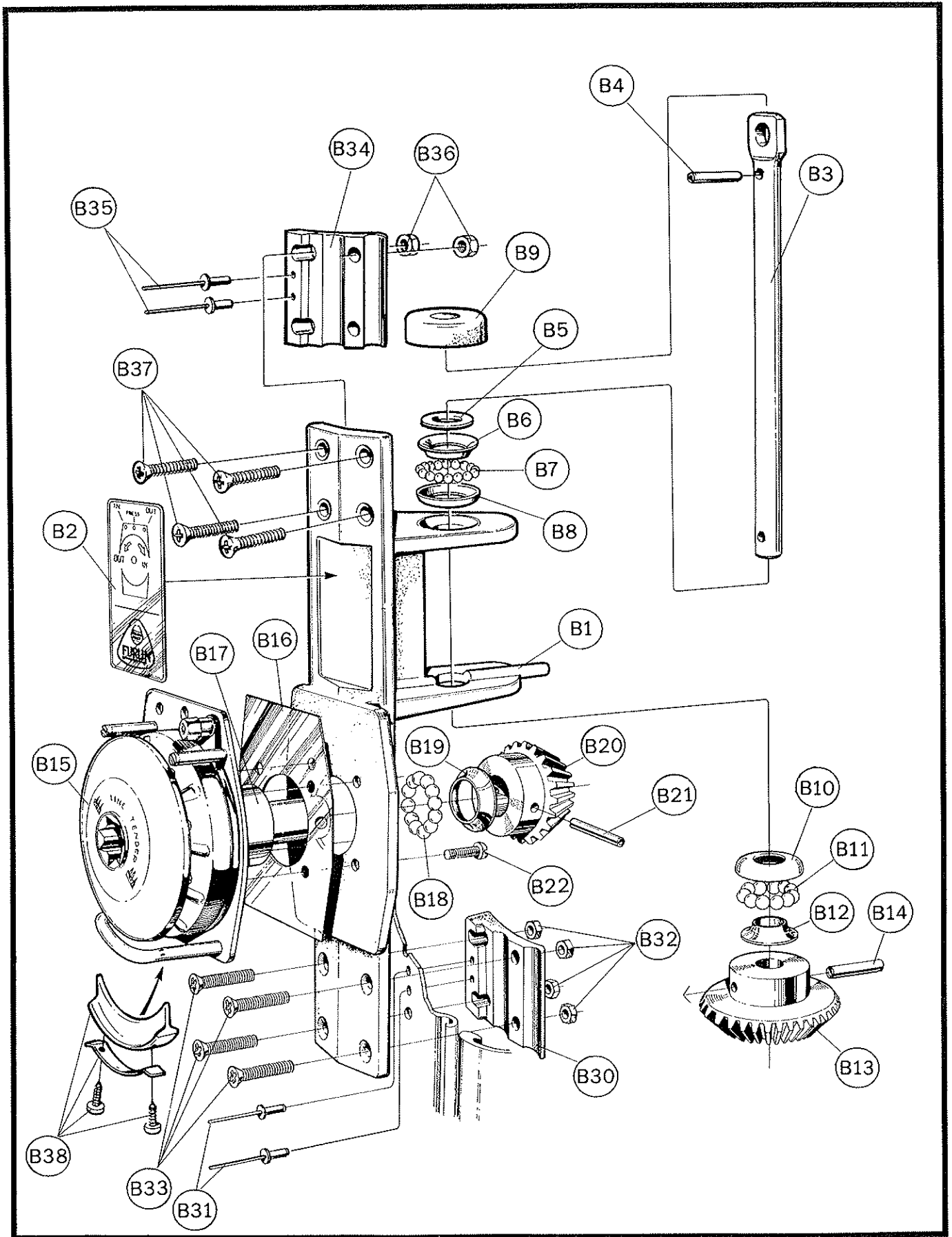
*) Brass (320-002) or Stainless steel (320-005)

**) Brass (320-003) or Stainless steel (320-004)

→ AD 625

o 25,4

→ -008



DESCRIPTION C

TOP SWIVEL

Item	Description	Type RB Mk II			Type RC Mk II		
		Dimension	Qty.	Mast extrusion 232/126 260/136	Dimension	Qty.	Mast extrusion 290/150
		Assembly number →		540-104-01	Assembly number →		540-204-01
C 1	Ball bearing house-half	ø56x85	2	540-104	ø66x105	2	540-204
C 2	Screw	MCS 6x50	1	155-009	MCS 6x22	2	155-034
C 3	Locking nut	M6	1	158-005	M6	2	158-005
C 4	Ball bearing eye		—	—	ø44xø22x75	1	540-205
C 4	Ball bearing ring connector	32x75	1	540-105	—	—	—
C 5	Ball bearing ring-inner	ø38x8	1	540-106	—	—	—
6	Balls	ø8	12	539-128	ø8	15	539-128
C 7	Ball bearing ring-outer	ø44xø26x8	1	539-223	ø52xø34x8	1	539-111
C 8	Poprivet LD 870	ø6,4x17,8	4	167-002	ø6,4x17,8	6	167-002

605 ø4,8x16,5 167-006

DESCRIPTION D

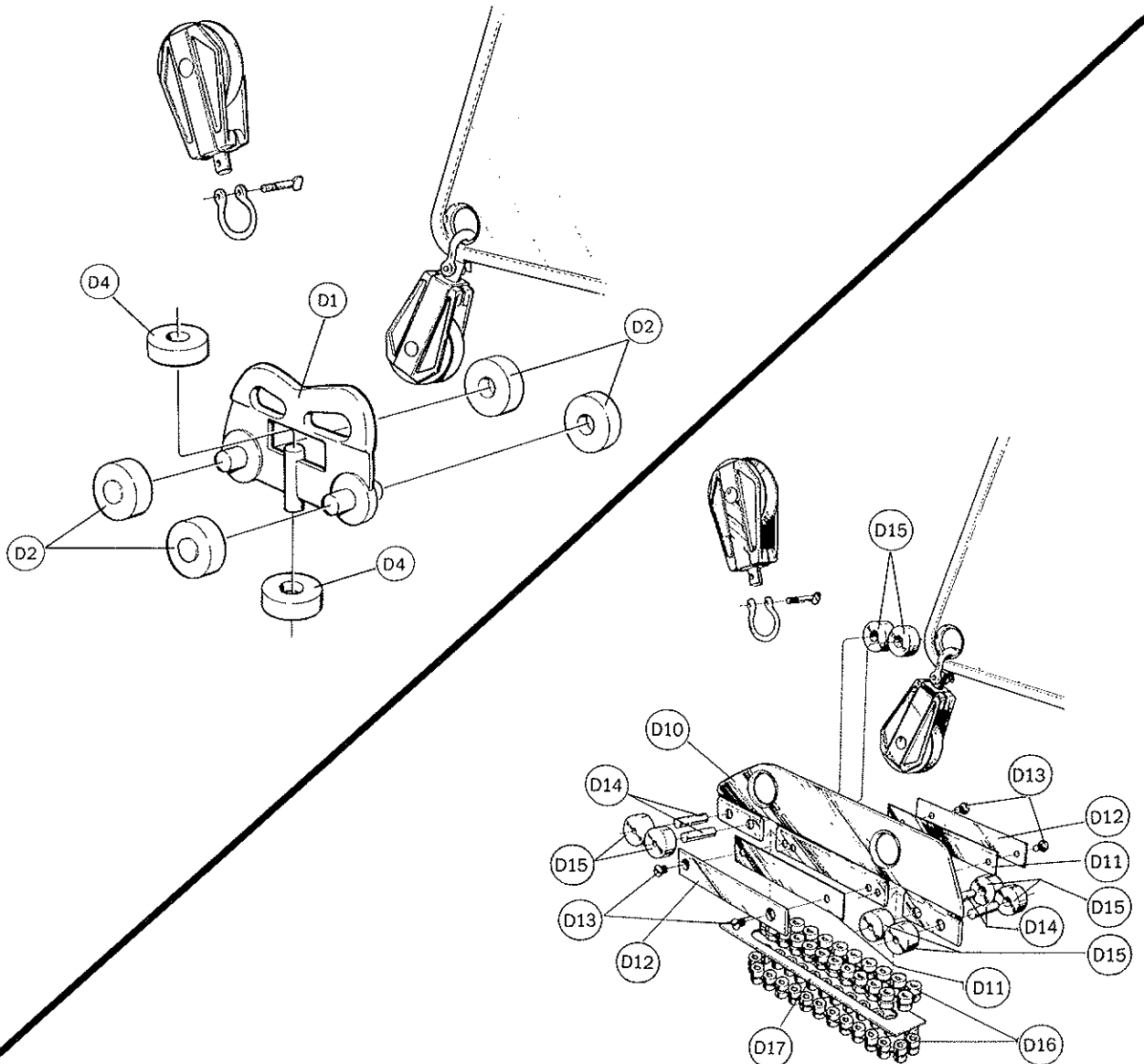
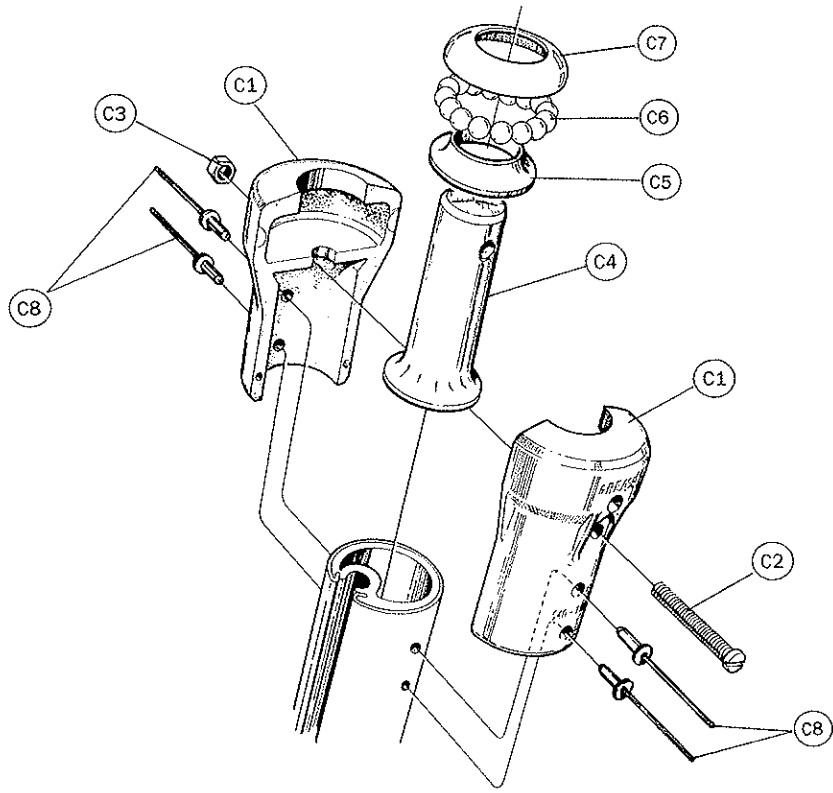
OUTHAUL CAR

Item	Description	Dimension	Boom extrusion 143/76 171/94		Boom extrusion 200/117 250/140	
			Qty.		Qty.	
		Assembly number →		511-802-01	511-803-01	
D 1	Outhaul car	4+2	1	511-802	—	—
D 1	Outhaul car	6+4	—	—	1	511-803
D 2	Wheel—vertical	ø28/8-9	4	504-500	6	504-500
D 3	Wheel—horizontal	ø25/8-6	2	504-501	1	504-501

OUTHAUL CAR KIT

Item	Description	Dimension	Qty.	Boom extrusion 128/90 150/105 162/125	
				Assembly number →	
		Assembly number →		507-605-05	
D10	Outhaul car plate	202x58x4	1	507-605	
D11	Spacer	18x81x0.25	2	530-630*)	
D11	Spacer	18x81x0.50	2	530-631*)	
D12	Plate	18x81x2	2	507-606	
D13	Screw	MFX 4x5	4	162-043	
D14	Pin	ø8x20	4	166-072	
D15	Wheel	ø20xø8x10	8	504-312	
D16	Roller chain	20 Wheels	2	504-340	
D17	Separator	42x113x1	1	537-079	

*) Add max. number of spacer to minimize the space for the roller chain.



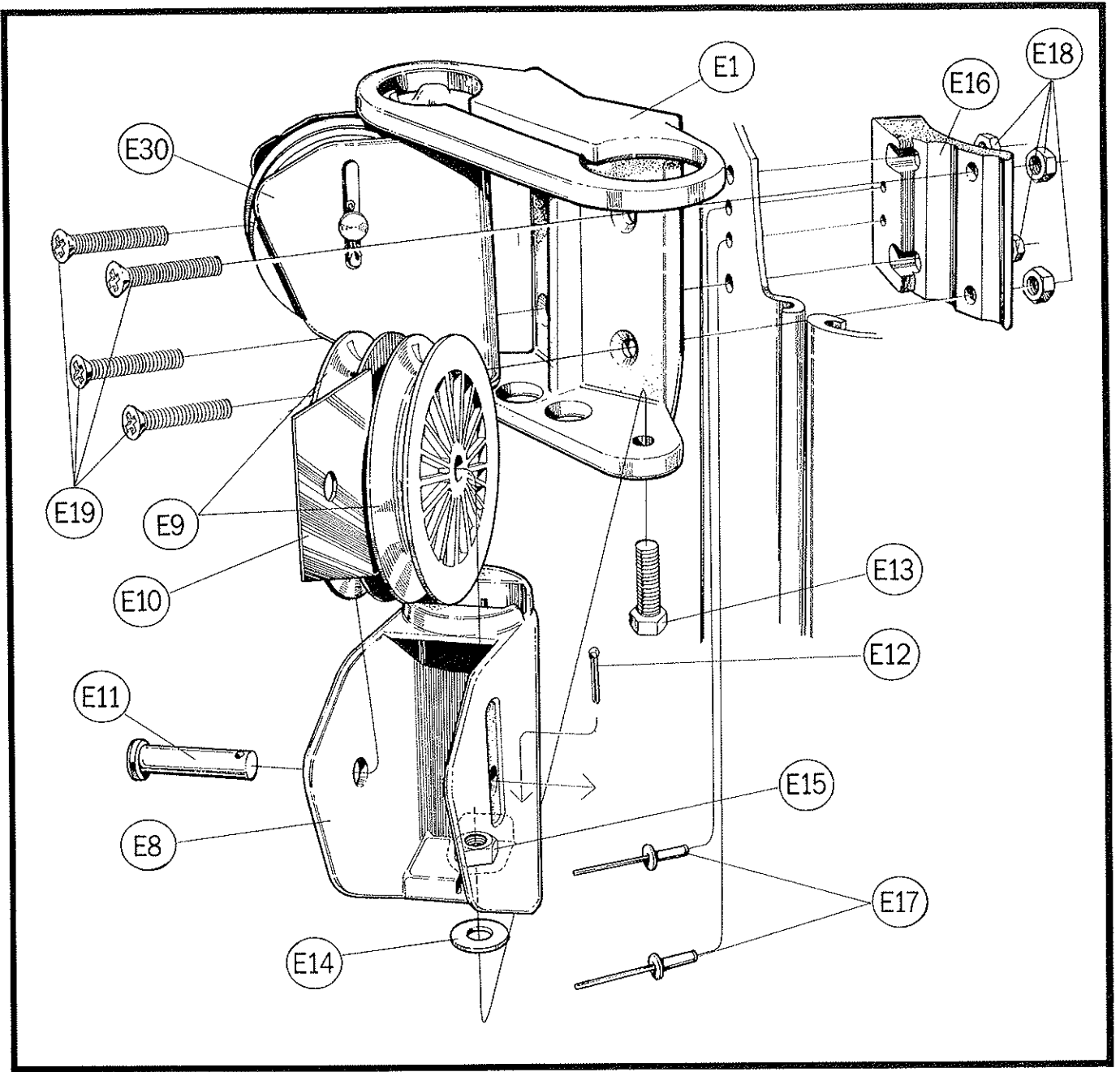
DESCRIPTION E

SWINGING LEAD

Item	Description	Type RB Mk II			Type RC Mk II		
		Dimension	Qty.	Mast extrusion 232/126 260/136	Dimension	Qty.	Mast extrusion 290/150
		Assembly number →		508-157-01	Assembly number →		508-157-01
E 1	Swinging lead bracket	150x120	1	508-157	150x120	1	508-157
E 8	Swinging lead-sheave house	For ø70x16	2	505-039	For ø70x16	2	505-039
E 9	Sheave	ø70xø12x16	4	504-332	ø70xø12x16	4	504-332
E10	Separator	72x59x2	2	537-034	72x59x2	2	537-034
E11	Clevis pin	ø12x52	2	165-403	ø12x52	2	165-403
E12	Split pin	ø3,2x16	2	301-049	ø3,2x16	2	301-049
.13	Screw	M6S 8x30	2	151-043	M6S 8x30	2	151-043
E14	Washer	ø17xø8x2	2	164-002	ø17xø8x2	2	164-002
E15	Locking nut	M8	2	158-006	M8	2	158-006
.16	Backing plate	70x74	1	540-103	70x74	1	540-103
E17	Pop rivet <u>LD-665</u>	ø4.8x16.5 #	2	167-006	ø4.8x16.5 #	2	167-006
E18	Locking nut	M8	4	158-006	M8	4	158-006
E19	Screw	MFX 8x40	4	162-037	MFX 8x40	4	162-037

E 30	Swinging lead-assembly = Item E8-E15	1	505-039-01	505-039-01
------	--------------------------------------	---	------------	------------

1 A0 625 # 25,4 0-008

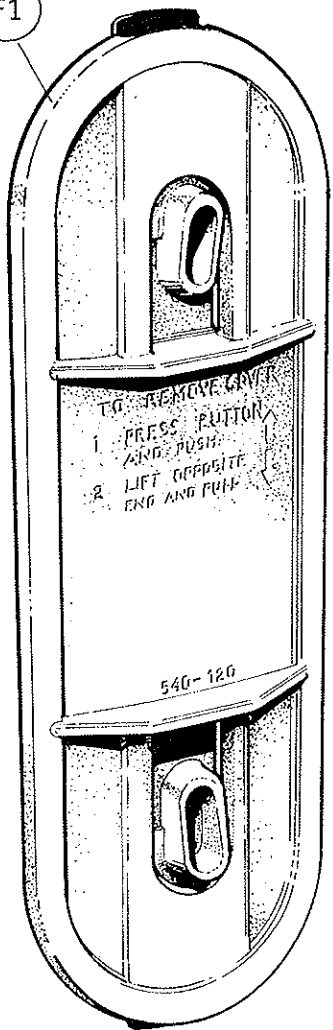


DESCRIPTION F

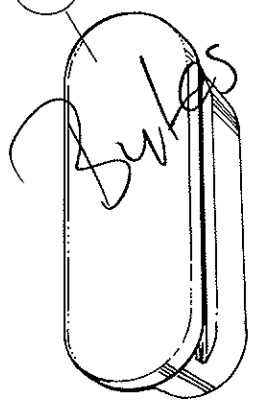
Item	Description	Type RB Mk II			Type RC Mk II		
		Dimension	Qty.	Mast extrusion 232/126 260/136	Dimension	Qty.	Mast extrusion 290/150
		Assembly number →		Assembly number →			
F 1	Cover	72x207	1	540-120	72x207	1	540-120
F 2	Lubricating hole plug	25x60 ϕ 39,1	1	319-574 (609)	25x60 ϕ 39,1	1	319-574 (609)
F 3	Lubricating grease	ca 100 gram	1	312-501	ca 100 gram	1	312-501
F 4	Manual (English text)	A4	1	595-063-E	A4	1	595-063-E
F 4	Manual (Swedish text)	A4	1	595-063-S	A4	1	595-063-S
F 4	Manual (German text)	A4	1	595-063-T	A4	1	595-063-T
F 5	Spare parts list	A4	1	595-064-E	A4	1	595-064-E
F 6	U-lead	ϕ 18x34	1	508-124	ϕ 18x34	1	508-124
F 7	Screw Selftapping	MRX-TT6x12	2	155-703	MRX-TT6x12	2	155-703
F 8	Prefeeder	ϕ 12-44	1	505-515	ϕ 12-44	1	505-515
F 9	Rope	ϕ 5-550	1	614-016	ϕ 5-550	1	614-016

My text se bil.

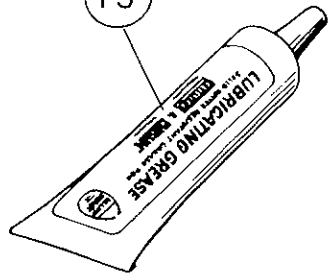
F1



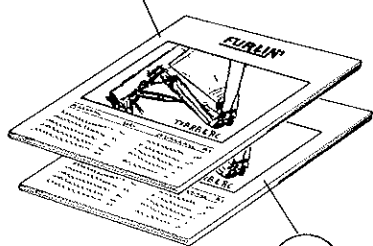
F2



F3



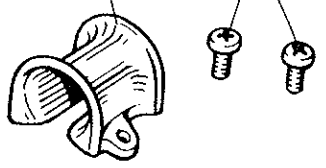
F4



F5

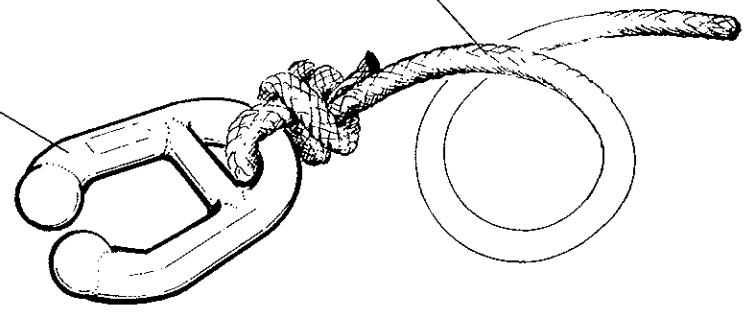
F6

F7



F8

F9

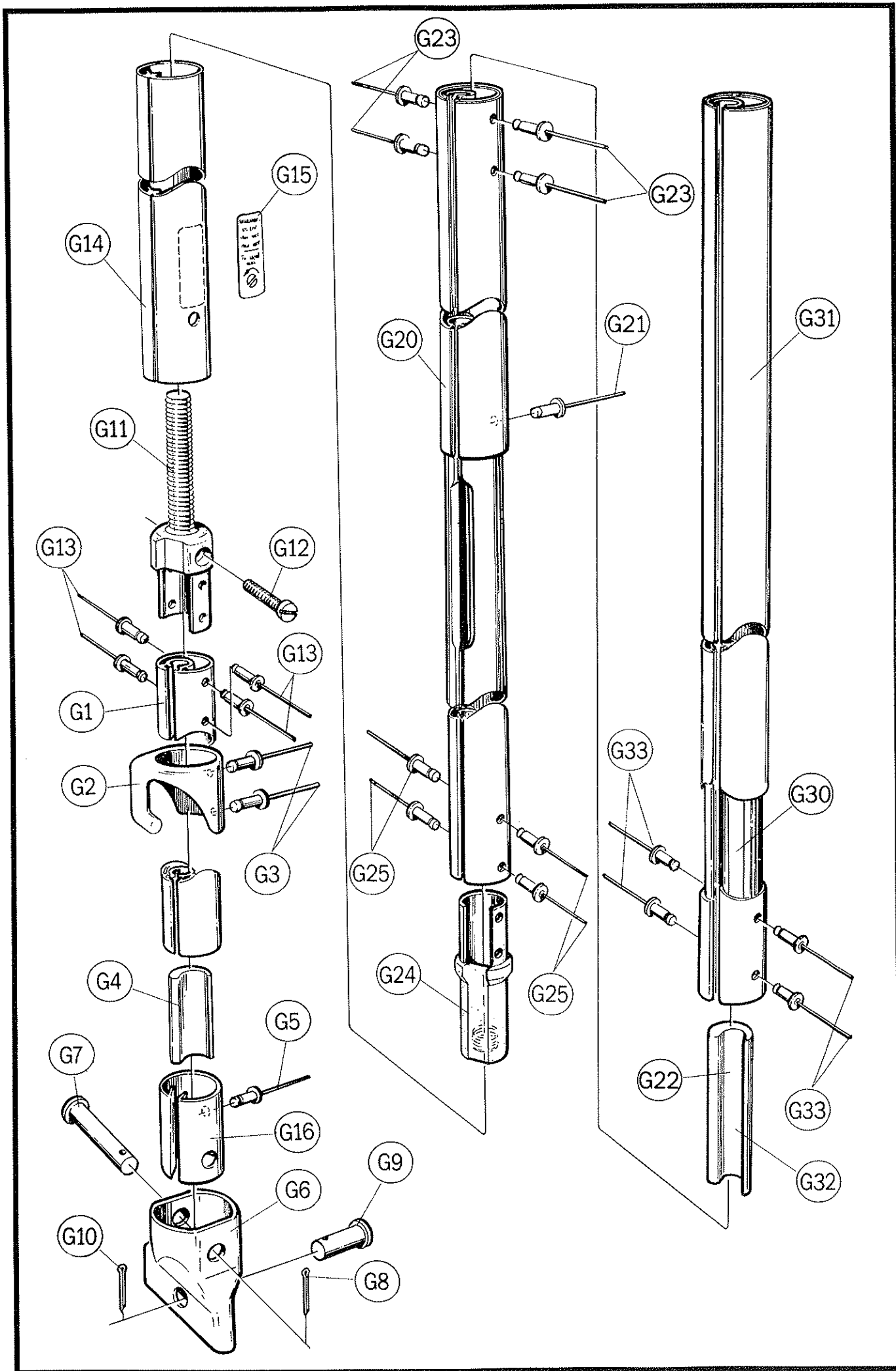


DESCRIPTION G

TACK ASSEMBLY

		Type RB Mk II: Mast extrusion 232/126 x 260/136					
		Boom extrusion 143/76 171/94			Boom extrusion 200/117 250/140		
Item	Description	Dimension	Qty.		Dimension	Qty.	
		Assembly number →		540-136-01	Assembly number →		540-137-01
G 1	Tack tube	30/29-346	1	540-136	30/29-442	1	540-137
G 2	Tack hook	ø38-42	1	536-251	ø38-42	1	536-251
G 3	Poprivet LD 639	ø4,8x9,9	2	167-007	ø4,8x9,9	2	167-007
G 4	Reinforcement plug	25/16-60	1	540-139	25/16-60	1	540-139
G 5	Pop rivet LD 639	ø4,8x9,9	1	167-007	ø4,8x9,9	1	167-007
G 6	Adapter	ø38x65	1	540-135	ø38x65	1	540-135
G 7	Clevis pin	ø10x40	1	165-211	ø10x40	1	165-211
G 8	Split pin	ø2,5x16	1	301-048	ø2,5x16	1	301-048
G 9	Clevis pin	ø12x24	1	165-401	ø12x24	1	165-401
G 10	Split pin	ø3,2x16	1	301-049	ø3,2x16	1	301-049
G 11	Tensioning screw	M12/ø25-120	1	540-132	M12/ø25-120	1	540-132
G 12	Screw	MCS 6x22	1	155-034	MCS 6x22	1	155-034
G 13	Poprivet LD 639	ø4,8x9,9	4	167-007	ø4,8x9,9	4	167-007
G 14	Locking tube	ø35x200	1	540-134	ø35x200	1	540-134
G 15	Label	40x20	1	591-191	40x20	1	591-191
G 16	Insulator	ø32x60	1	540-138	ø32x60	1	540-138
		Type RC Mk II: Mast extrusion 290/150					
		Boom extrusion 143/76 171/94			Boom extrusion 200/117 250/140		
Item	Description	Dimension	Qty.		Dimension	Qty.	
		Assembly number →		540-229-01	Assembly number →		540-230-01
G 1	Tack tube	38/38-348	1	540-229	38/38-444	1	540-230
G 2	Tack hook	ø45x95	1	540-224	ø45x95	1	540-224
G 3	Poprivet LD 639	ø4,8x9,9	2	167-007	ø4,8x9,9	2	167-007
G 4	Reinforcement plug	33/25-60	1	540-232	33/25-60	1	540-232
G 5	Poprivet LD 639	ø4,8x9,9	1	167-007	ø4,8x9,9	1	167-007
G 6	Adapter	ø44x78	1	540-228	ø44x78	1	540-228
G 7	Clevis pin	ø12x52	1	165-403	ø12x52	1	165-403
G 8	Split pin	ø3,2x16	1	301-049	ø3,2x16	1	301-049
G 9	Clevis pin	ø12x24	1	165-401	ø12x24	1	165-401
G 10	Split pin	ø3,2x16	1	301-049	ø3,2x16	1	301-049
G 11	Tensioning screw	M16/ø32-177	1	544-225	M16/ø32-177	1	544-225
G 12	Screw	MCS 6x22	1	155-034	MCS 6x22	1	155-034
G 13	Poprivet LD 850	ø6,4x12,7	6	167-004	ø6,4x12,7	6	167-004
G 14	Locking tube	ø44x300	1	540-227	ø44x300	1	540-227
G 15	Label	40x20	1	591-191	40x20	1	591-191
G 16	Insulator	ø40x60	1	540-231	ø40x60	1	540-231

To be continued on page 14



SAIL FEEDER ASSEMBLY

Item	Description	Type RB Mk II			Type RC Mk II		
		Dimension	Qty.	Mast extrusion 232/126 260/136	Dimension	Qty.	Mast extrusion 290/150
		Assembly number →		540-140-01	Assembly number →		540-233-01
G20	Luffextrusion/ Cover assembly	31/29-7.700	1	540-111-01	38/38-7.700	1	540-217-01
G21	Poprivet LD 639	∅4,8×9,9	1	167-007	∅4,8×9,9	1	167-007
G22	Joint sleeve	26/16-160	1	540-113 ¹	33/25-200	1	540-215
G23	Poprivet LD 639 ¹¹	∅4,8×9,9 [∞]	4	167-007 [∞]	—	—	—
G23	Poprivet LD 850 ^o	—	—	—	∅6,4×12,7 ¹¹	6	167-004 ^X
G24	Tensioning screw body	M12/∅25-101	1	540-133	M16/∅34-162	1	540-226
G25	Poprivet LD 639	∅4,8×9,9	4	167-007	—	—	—
G25	Poprivet LD 850	—	—	—	∅6,4×12,7	6	167-004

LUFF EXTRUSION 7700 MM-INCL. SPLICE

G30	Luff extrusion	30/29, L=7700	1	540-111	38/38, L=7700	1	540-217
G31	Luff extrusion cover	∅32, L=7700	1	540-112	∅40, L=7700	1	540-218
G32	Joining sleeve	25/16, L=160	1	540-113 ¹	33/25, L=200	1	540-215
G33	Pop rivet LD 639	∅4,8×9,9	2×4	167-007	∅4,8×9,9	2×8	167-007

LUFF EXTRUSION 7700 MM-EXCL. SPLICE

G30	Luff extrusion	30/29, L=7700	1	540-111	38/38, L=7700	1	540-217
G31	Luff extrusion cover	∅32, L=7700	1	540-112	∅40, L=7700	1	540-218

11 665

1 -148

o 870

∞ 16,5

∞ -006

11 17,8

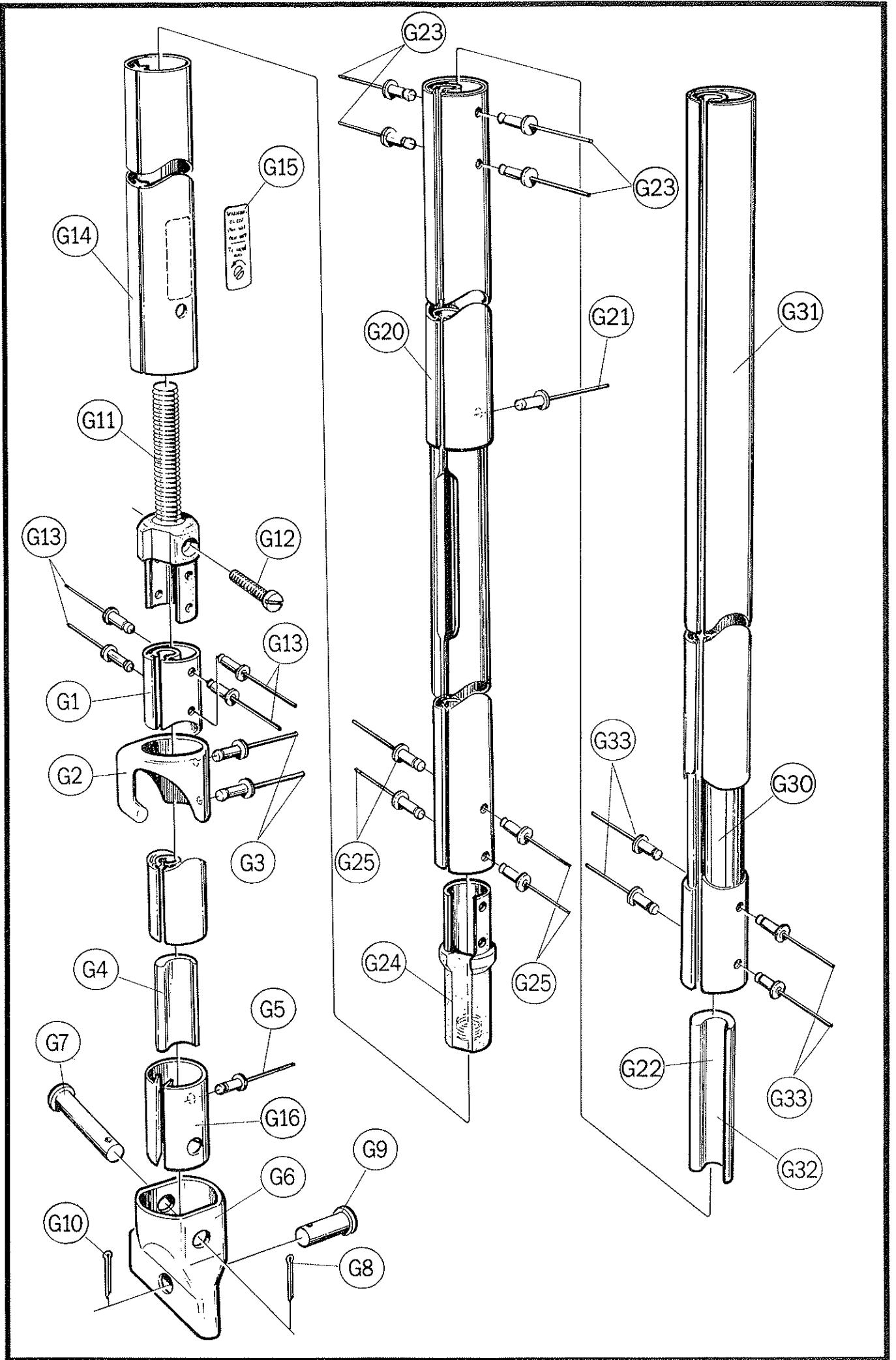
X -002

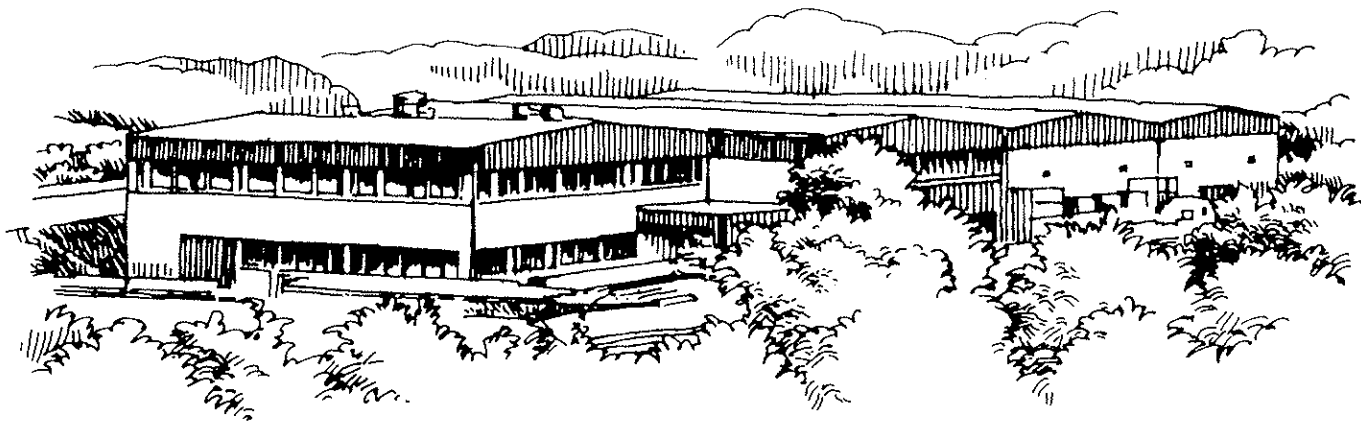
→

Sealing plug	∅ 3.2	1	319-510	∅ 3.2	1	319-510
--------------	-------	---	---------	-------	---	---------

→

Sealing plug	∅ 3.2	2x4	319-510	∅ 3.2	2x8	319-510
--------------	-------	-----	---------	-------	-----	---------





Seldén Mast AB is, and has been for many years, the leading manufacturer of aluminium yacht masts in Europe.

From the very beginning in 1960, our policy has been to give absolute priority to quality and reliability.

To safeguard our premier position, we take the greatest of care over the design, testing and production engineering of new products. Being situated on the west coast of Sweden, we are able to conduct extended sea trials in harsh conditions.

FURLEX jib furling system was introduced in 1983. The first model, Type B, was for 6-8 mm forestays. During the following year we introduced the Types C and D which extended the range up to 14 mm forestays.

Right from the start FURLEX was a worldwide success, and today we are the major supplier of furling systems.

To follow it, in 1987 we introduced FURLIN' - an advanced in-mast furling and reefing system - and then in 1989 the FURLEX Type A for 4-5 mm forestays.

Working to the highest quality standards comes naturally to us at Seldén Mast AB. We know there can be no compromise with the sea! Experienced designers, top quality materials, attention to detail during assembly, and the selection of authorized dealers, creates a strong back-up chain for all our products.

It is also your assurance of total reliability even under the worst weather conditions.

Made in Sweden



SELDÉN MAST AB

Redegatan 11
S-421 77 V. Frölunda,
Sweden

Telephone:
Nat. | 031-29 21 90
Int. | +46 31 29 21 90

Telefax:
Nat. | 031-29 71 37
Int. | +46 31 29 71 37

Telex:
200 26 selden s