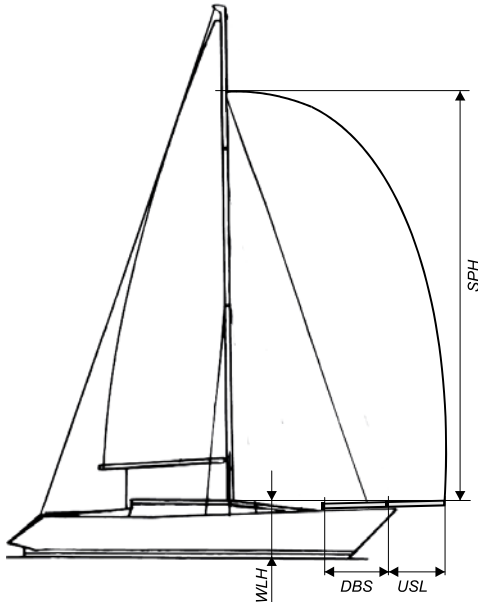


Bowsprit facts

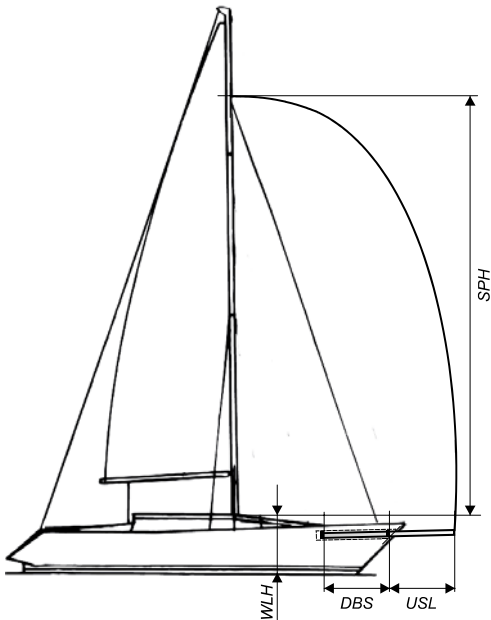
The information below should be completed in its entirety. Should the RM30 value not be available the boat information table should be completed in order for the RM30 figure to be calculated.

| | | |
|-------------------|-------------------------------------|----------------|
| Yacht: | Existing Seldén rig data no. | |
| Customer: | Address: | |
| Telephone: | Fax: | E-mail: |

Bowsprit on deck



Bowsprit built in



Bowsprit

| | |
|--|-----------------------------------|
| Unsupported Length | USL= _____ mm |
| Distance between supports | DBS= _____ mm |
| Coach roof height above waterline | WLH= _____ mm |
| Gennaker halyard height above coach roof | SPH= _____ mm |
| <input type="checkbox"/> Bowsprit on deck | <input type="checkbox"/> Aluminum |
| <input type="checkbox"/> Built in bowsprit | <input type="checkbox"/> Carbon |

Righting moment (RM)

Alt. 0 RM according to Seldén rig data stated above

Alt. 1 RM acc. to IMS 1°/20°/40°(IOR1°) _____ kNm

Alt. 2 RM at 30 _____ kNm

(Seldén heeling test/ Designers)

Given RM includes:

Yacht empty _____ Crew member on rail

Yacht equipped

Alt. 3 The RM can be approximately estimated if the following information is given:

Yacht empty Yacht equipped

Length over all _____ mm Displacement _____ kg

Max beam _____ mm Ballast _____ kg

Draft _____ mm Bulb/Wing keel

Centerboard draft board up/down _____ /

Ballast board/other _____ /

Other rigging particulars:

.....
.....
.....

The above information is supplied as the basis for quotation and subsequent build.

Signature, order only

Blockletters

Date



www.seldenmast.com