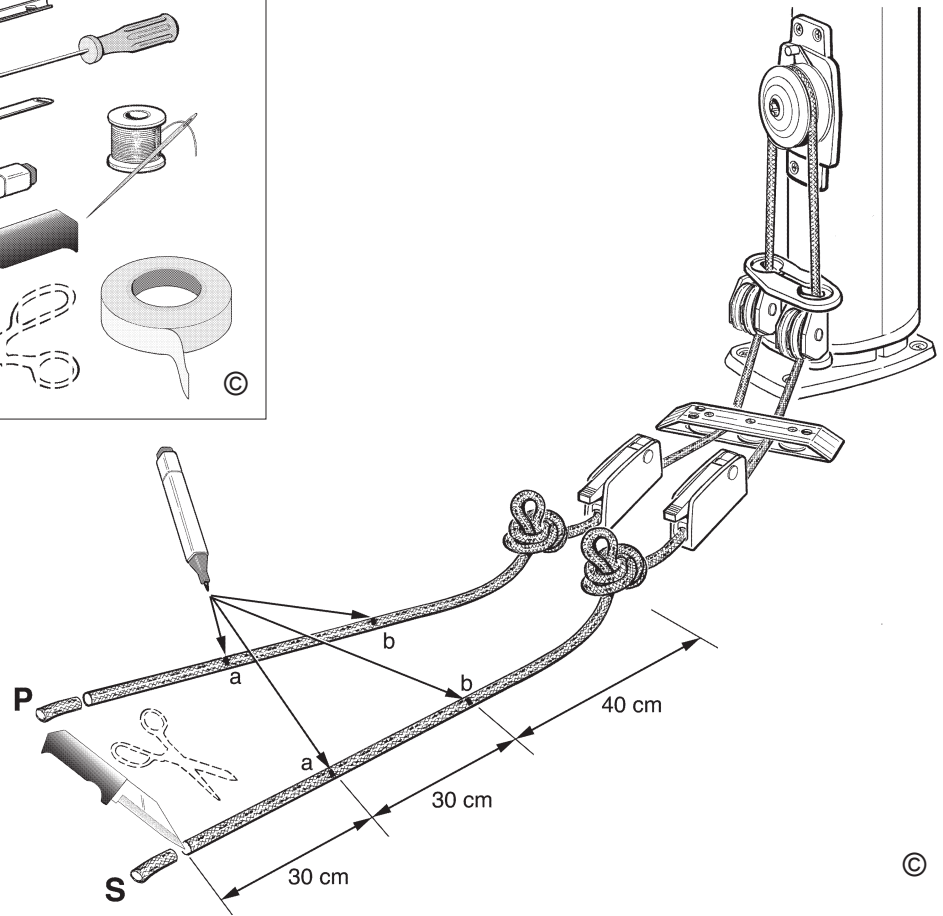
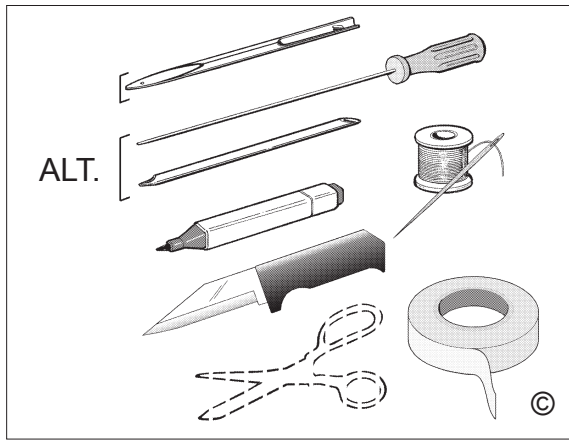
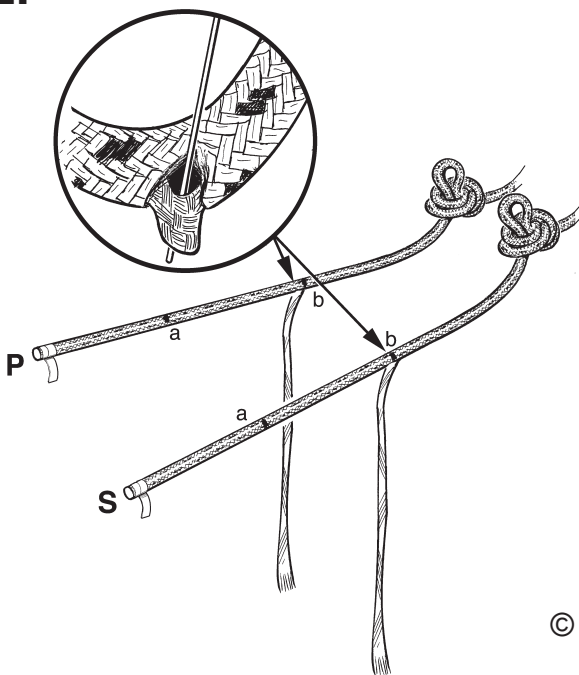


# Splice, "endless" line

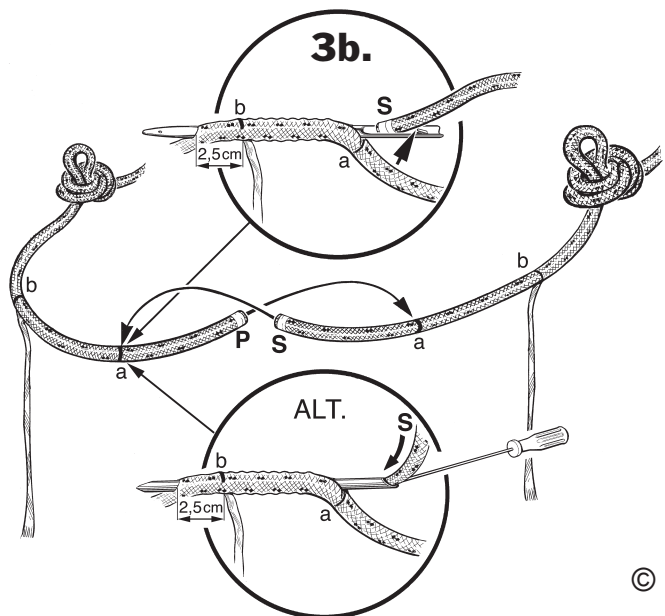
1.



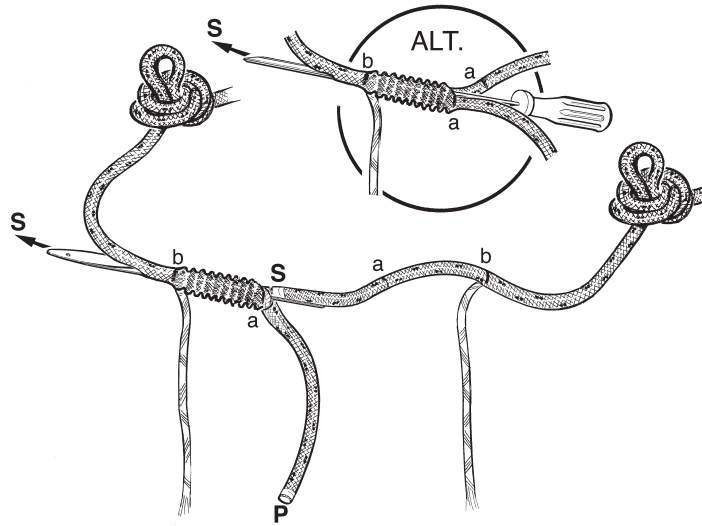
2.



3a.

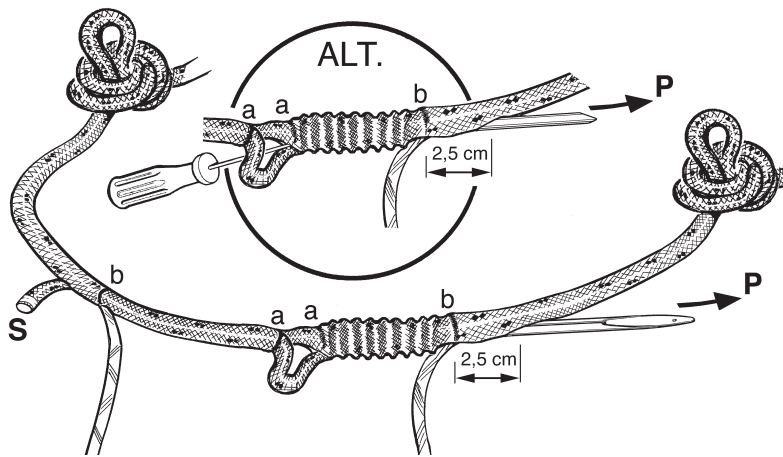


4.

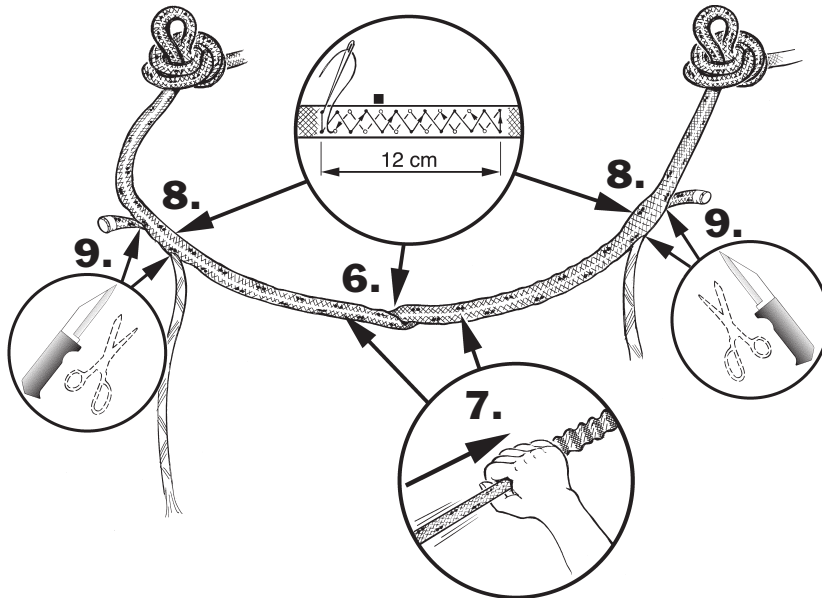


©

5.



©



©

 **SELDÉN**

[www.seldenmast.com](http://www.seldenmast.com)

Sweden: Seldén Mast AB • Tel: +46 (0)31 69 69 00 • [info@seldenmast.com](mailto:info@seldenmast.com)  
UK: Seldén Mast Ltd. • Tel: +44 (0)1329 50 40 00 • [info@seldenmast.co.uk](mailto:info@seldenmast.co.uk)  
USA: Seldén Mast Inc. • Tel: +1 843-760-6278 • [info@seldenus.com](mailto:info@seldenus.com)

Denmark: Seldén Mast A/S • Tel: +45 39 18 44 00 • [info@seldenmast.dk](mailto:info@seldenmast.dk)  
the Netherlands: Seldén Mid Europe B.V. • Tel: +31 (0)111-698 120 • [info@seldenmast.nl](mailto:info@seldenmast.nl)  
France: Seldén Mast SAS • Tel: 33 (0) 251 362 110 • [info@seldenmast.fr](mailto:info@seldenmast.fr)