

The external TWARON® wrap is intended to improve chafe resistance. It can be positioned to suit the intended operating or stowage method.

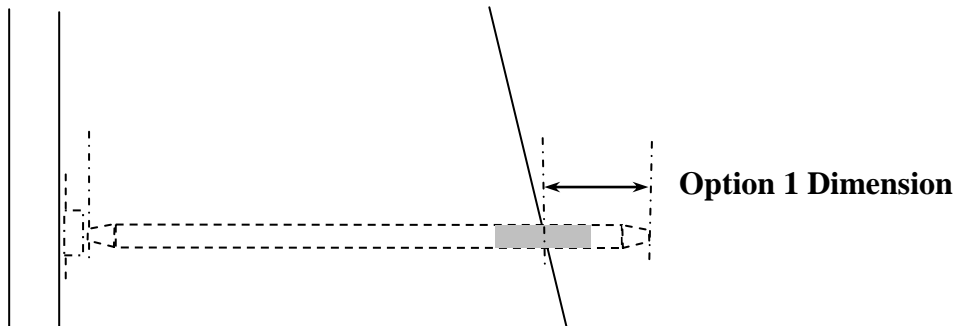
Type A poles (End-for-End Gybe) have two wrapped areas.

Type B poles (Dip Gybe) have one wrapped area.

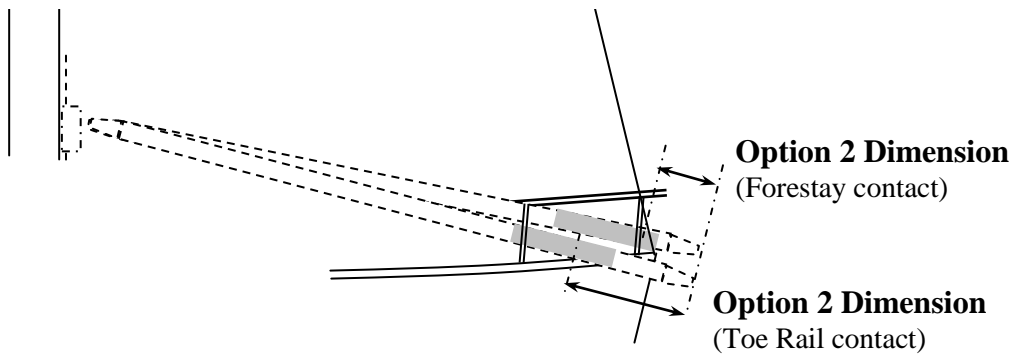
Option 1 protects the pole when in contact with the forestay when sailing.

Option 2 protects the pole when stowed.

Please indicate below which Option you require, and give the dimension.



Option 1 - Wrap position optimised for pole contact with forestay



Option 2 - Wrap position optimised for pole when stowed in contact with forestay toe rail

Option 1 Dimension =

or

Option 2 Dimension =

Please complete and fax this page to: Seldén Mast Ltd 00 44 (0)1489 487487